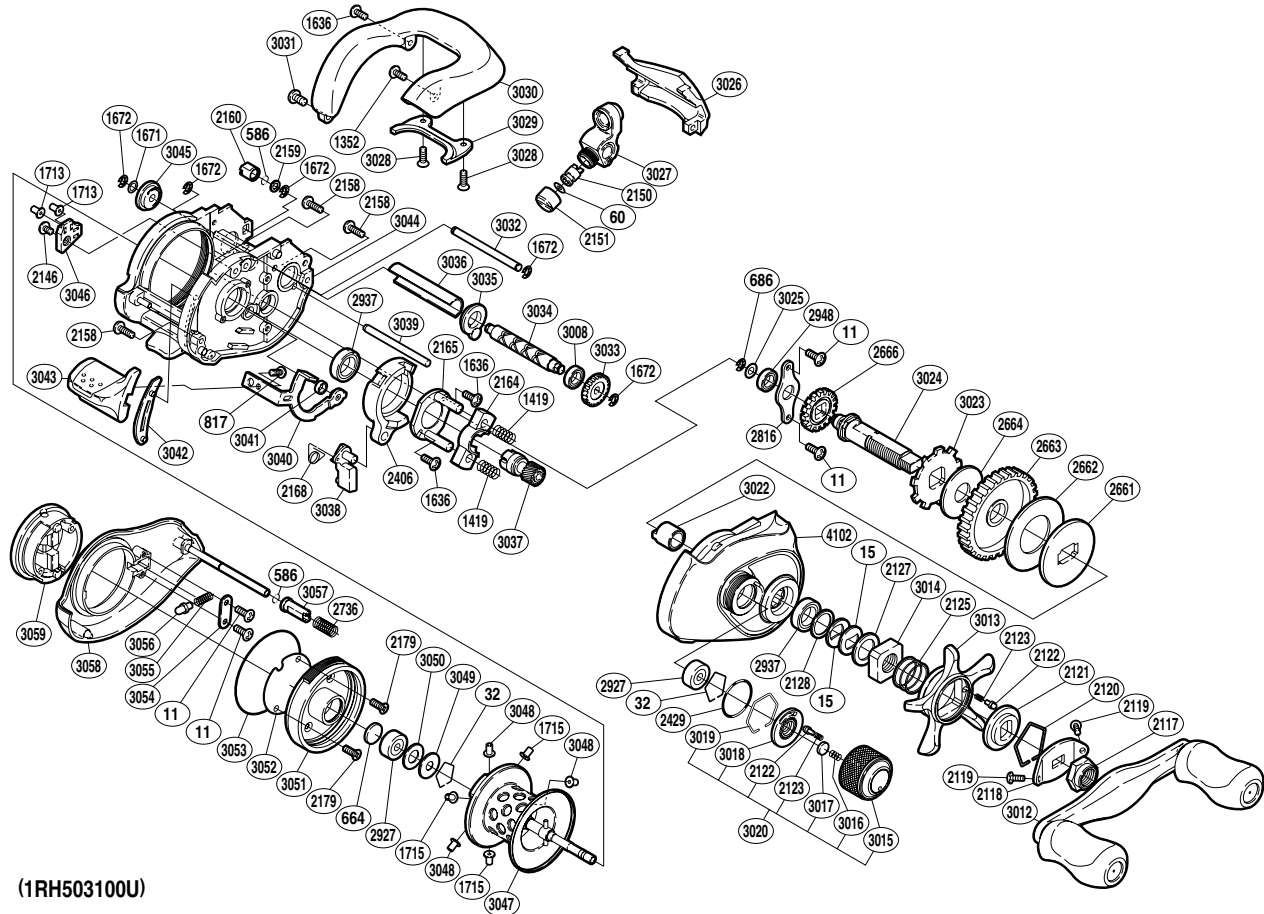


SHIMANO

CALAIS

CL-100A



(1RH503100U)

| Part No. | Description | Part No. | Description | Part No. | Description |
|----------|------------------------|----------|---------------------------|----------|----------------------------|
| BNT0011 | Multi-Purpose Screw | BNT2165 | Clutch Cam Retainer | BNT3029 | Line Guard Plate |
| BNT0015 | Drag Spring Washer | BNT2168 | Clutch Pawl Spring | BNT3030 | Thumb Rest |
| BNT0032 | Bearing Retainer | BNT2179 | Brake Case Screw | BNT3031 | Thumb Rest Screw |
| BNT0060 | Spacer (optional) | BNT2406 | Clutch Cam | BNT3032 | Line Guard |
| BNT0586 | "O" Ring | BNT2429 | "O" Ring | BNT3033 | Idle Gear (C) |
| BNT0664 | Spacer (B) | BNT2661 | Key Washer | BNT3034 | Worm Shaft |
| BNT0686 | "E" Lock | BNT2662 | Drag Washer (C) | BNT3035 | Worm Bushing (A) |
| BNT0817 | Clutch Bar Screw | BNT2663 | Drive Gear | BNT3036 | Level Wind Guard |
| BNT1352 | Screw | BNT2664 | Drag Washer (A) | BNT3037 | Pinion Gear (A) |
| BNT1419 | Yoke Spring | BNT2666 | Idle Gear (A) | BNT3038 | Clutch Pawl |
| BNT1636 | Multi-Purpose Screw | BNT2736 | Left Side Plate Spring | BNT3039 | Level Wind Guide |
| BNT1671 | Worm Shaft Washer | BNT2816 | Drive Shaft Retainer | BNT3040 | Clutch Plate |
| BNT1672 | "E" Lock | BNT2927 | Ball Bearing | BNT3041 | Clutch Plate Support Ring |
| BNT1713 | Brake Collar (green) | BNT2937 | Ball Bearing | BNT3042 | Clutch Bar Guide (B) |
| BNT1715 | Brake Collar (red) | BNT2948 | Ball Bearing | BNT3043 | Quick-Fire II Clutch Bar |
| BNT2117 | Handle Nut | BNT3008 | Ball Bearing | BNT3044 | One-Piece Frame |
| BNT2118 | Handle Nut Plate | BNT3012 | Handle Assembly | BNT3045 | Worm Bushing (B) |
| BNT2119 | Nut Plate Screw | BNT3013 | Star Drag | BNT3046 | SVS Holder |
| BNT2120 | Click Plate Retainer | BNT3014 | Star Drag Nut | BNT3047 | Spool Assembly |
| BNT2121 | Star Drag Click | BNT3015 | Cast Control Cap | BNT3048 | Brake Collar (clear smoky) |
| BNT2122 | Click Pin | BNT3016 | Spool Tension Spring | BNT3049 | Bearing Spacer |
| BNT2123 | Click Spring | BNT3017 | Spool Tension Spacer | BNT3050 | Bearing Spacer (B) |
| BNT2125 | Star Drag Spring | BNT3018 | Cast Control Click Plate | BNT3051 | Brake Case |
| BNT2127 | Star Drag Spacer | BNT3019 | Cast Control Click Holder | BNT3052 | Dial Spacer (optional) |
| BNT2128 | Bearing Washer | BNT3020 | Cast Control Cap Assembly | BNT3053 | "O" Ring |
| BNT2146 | SVS Holder Screw | BNT3022 | Roller Clutch Inner Tube | BNT3054 | Dial Click Keeper |
| BNT2150 | Line Guide Pawl | BNT3023 | Anti-Reverse Ratchet | BNT3055 | Dial Click Spring |
| BNT2151 | Pawl Cap | BNT3024 | Drive Shaft | BNT3056 | Dial Click Pin |
| BNT2158 | Right Side Plate Screw | BNT3025 | Drive Shaft Washer | BNT3057 | Damper (A) |
| BNT2159 | Damper Washer | BNT3026 | Level Wind Protector | BNT3058 | Left Side Plate |
| BNT2160 | Damper (B) | BNT3027 | Line Guide | BNT3059 | Turnkey Dial |
| BNT2164 | Yoke | BNT3028 | Line Guard Plate Screw | BNT4102 | Right Side Plate |